

Installation instructions for PZ4AL-01698-00  
Under Run Protective Shield Engine Bay

## LEXUS GX



## TOYOTA LC



Model Year: **GX 460 - 2009 - 2013 -**

**LC 150 Diesel -  
2009 - 2013 - 2015-**

**LC 150 Petrol - 2009 - 2013 -**

Vehicle Code: URJ150L-GKTZKW

GRJ150L-GKAEKW  
KDJ150L-GKAEYW

GRJ150L-GKAEKW

Part Number:

PZ4AL-01698-00



Weight:

14,8 kg



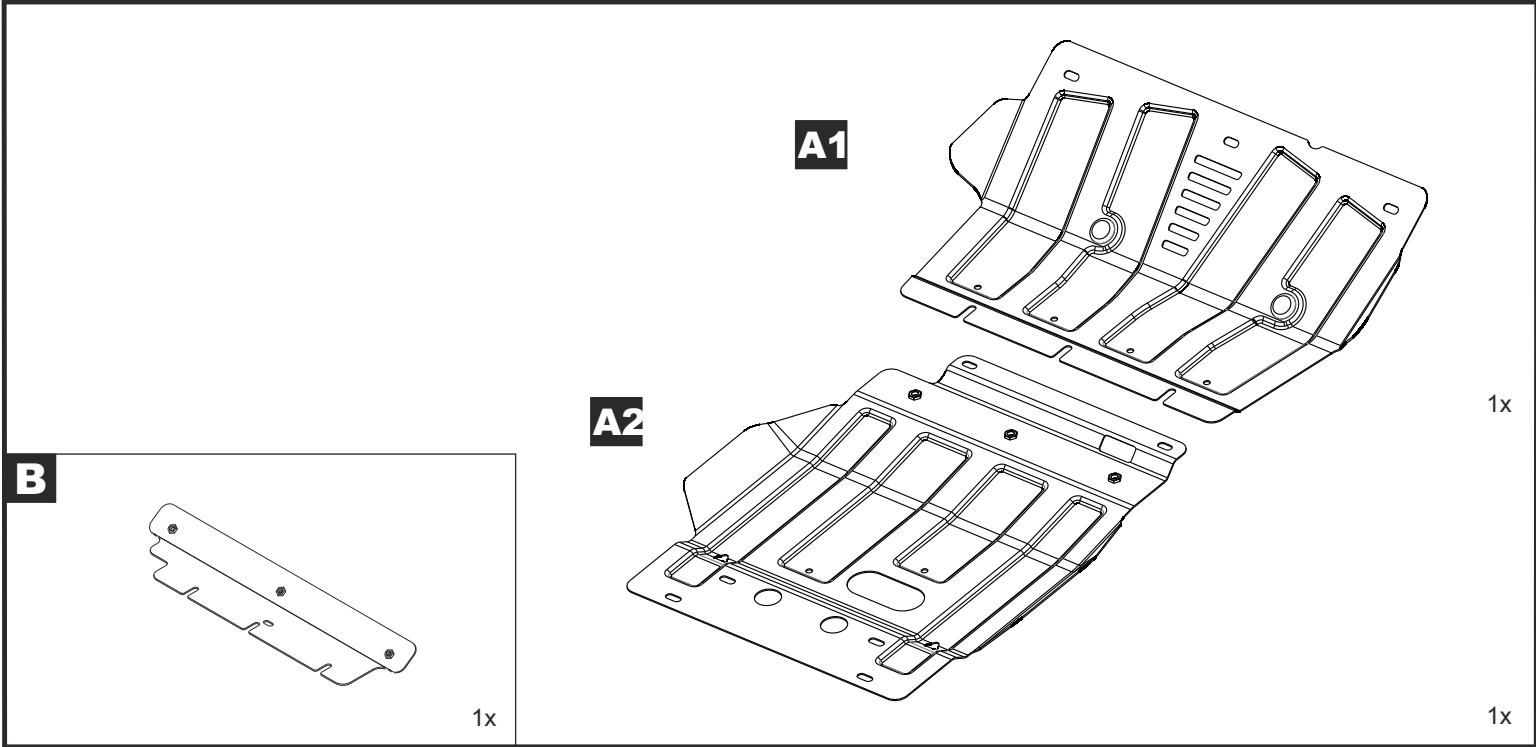
Installation Time:

30 min

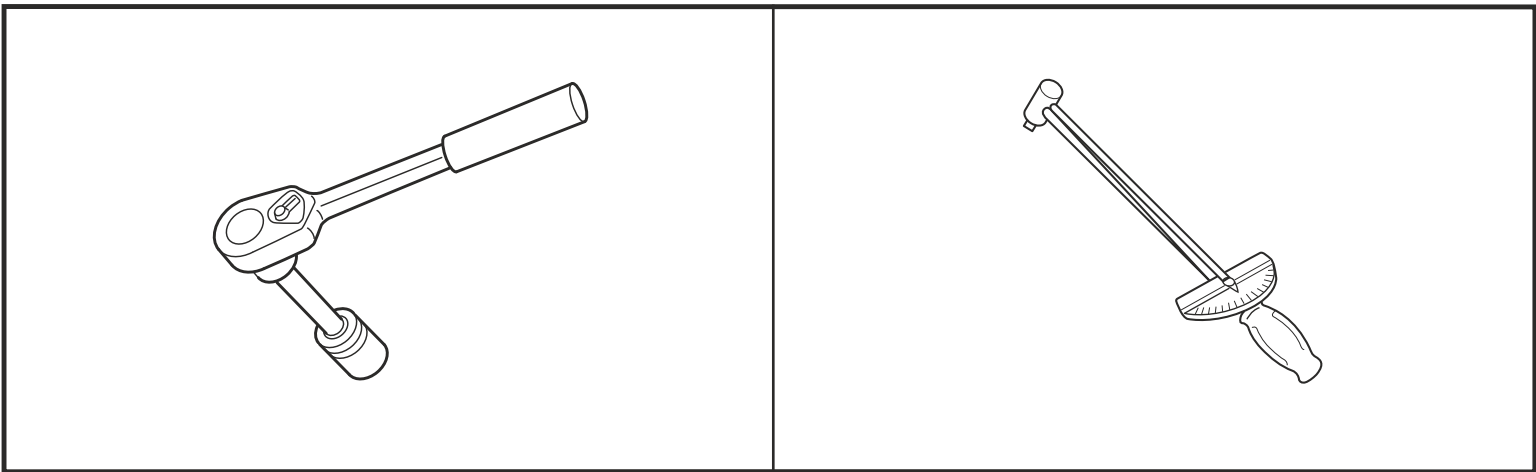
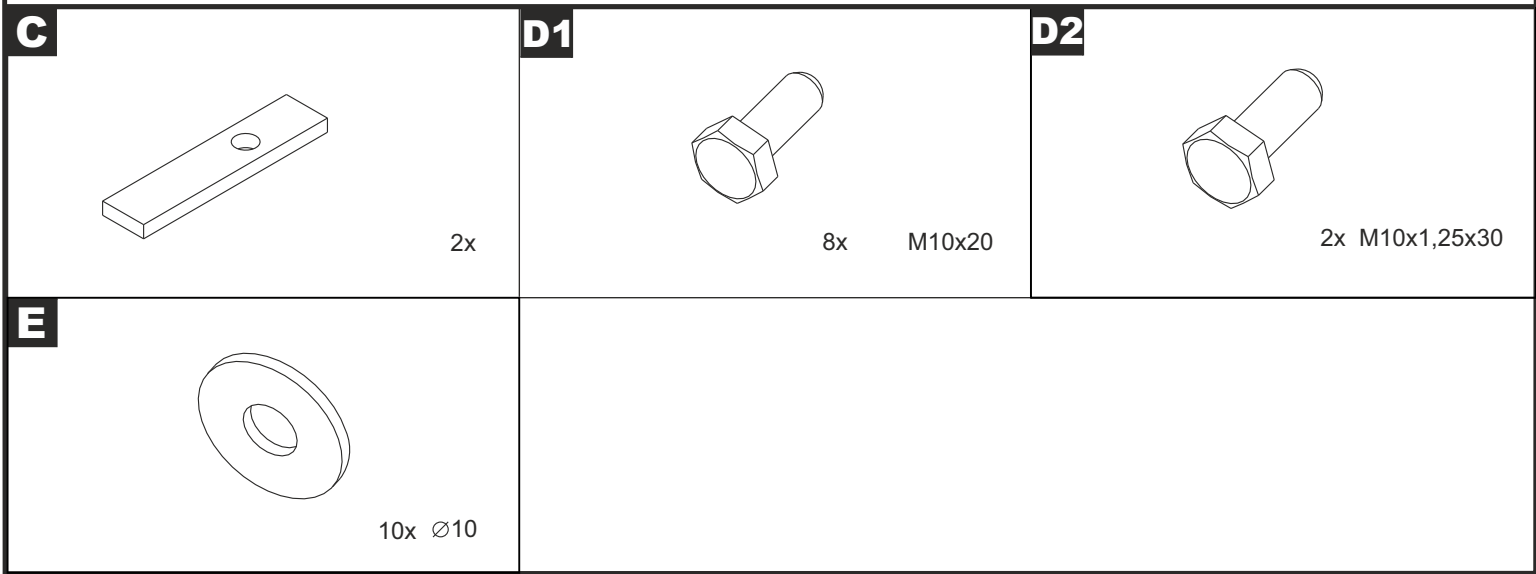
Manual reference number:

AIM 001-929-0

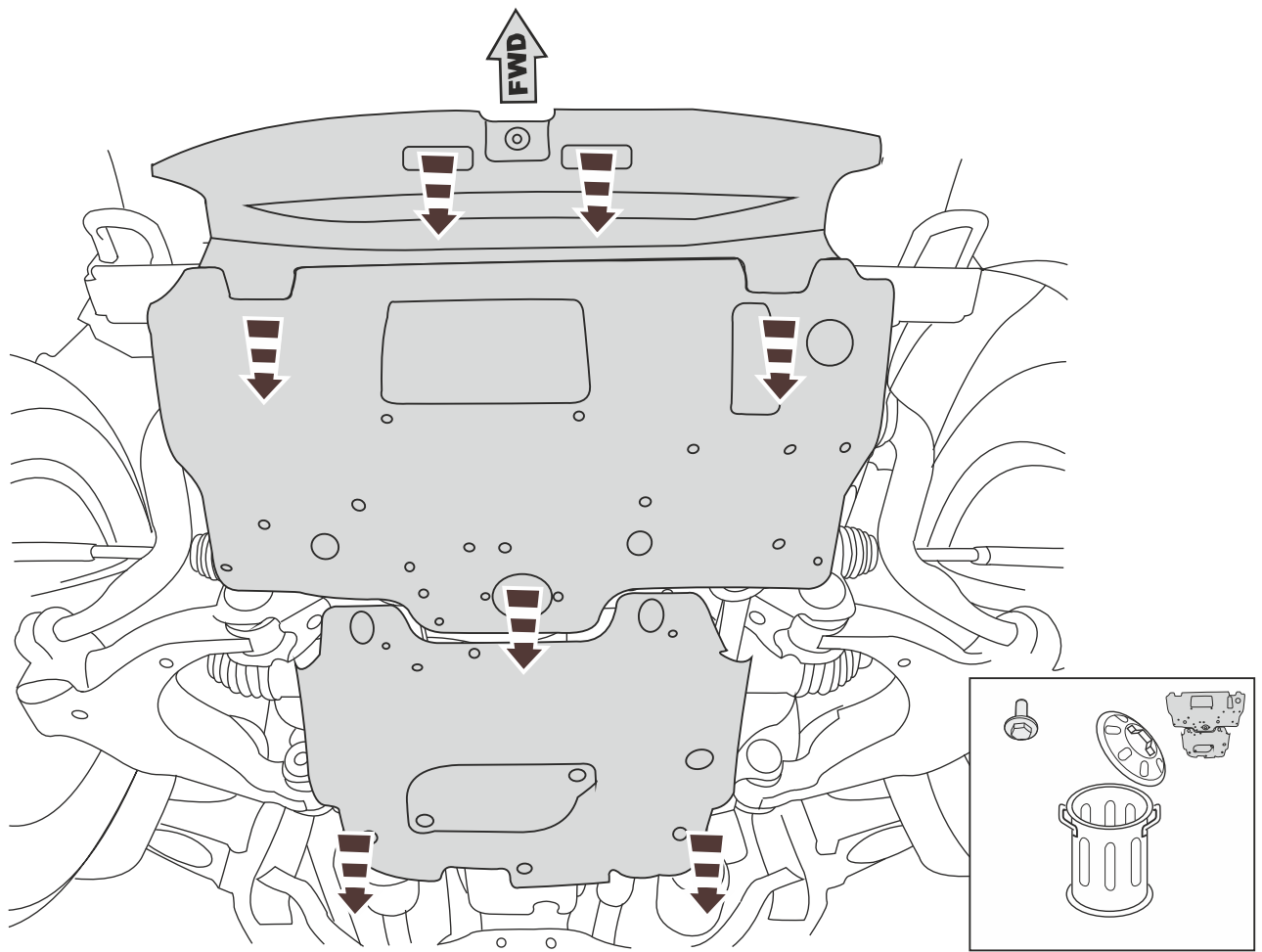
PZ4AL-01698-00



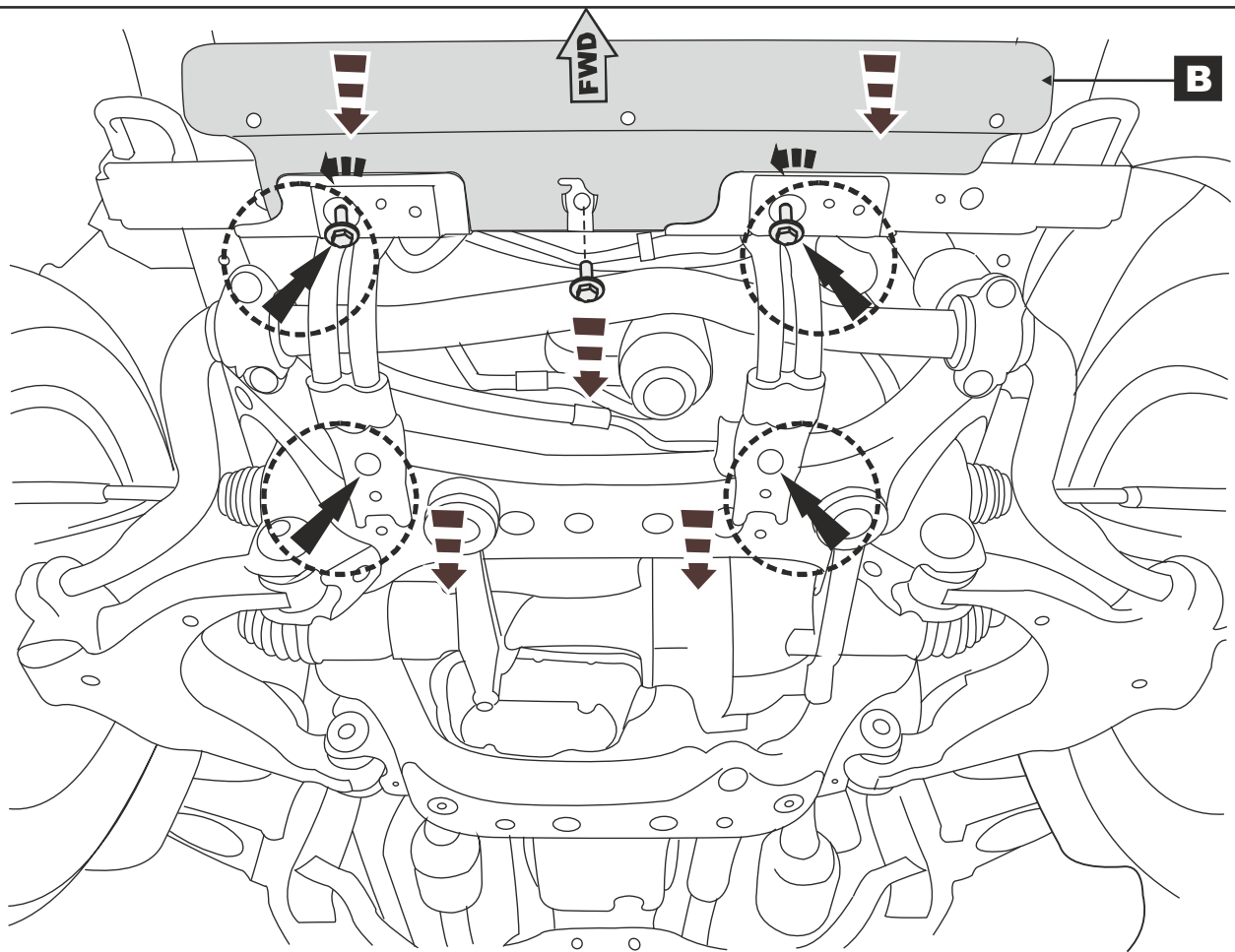
KZNG5-01698-60



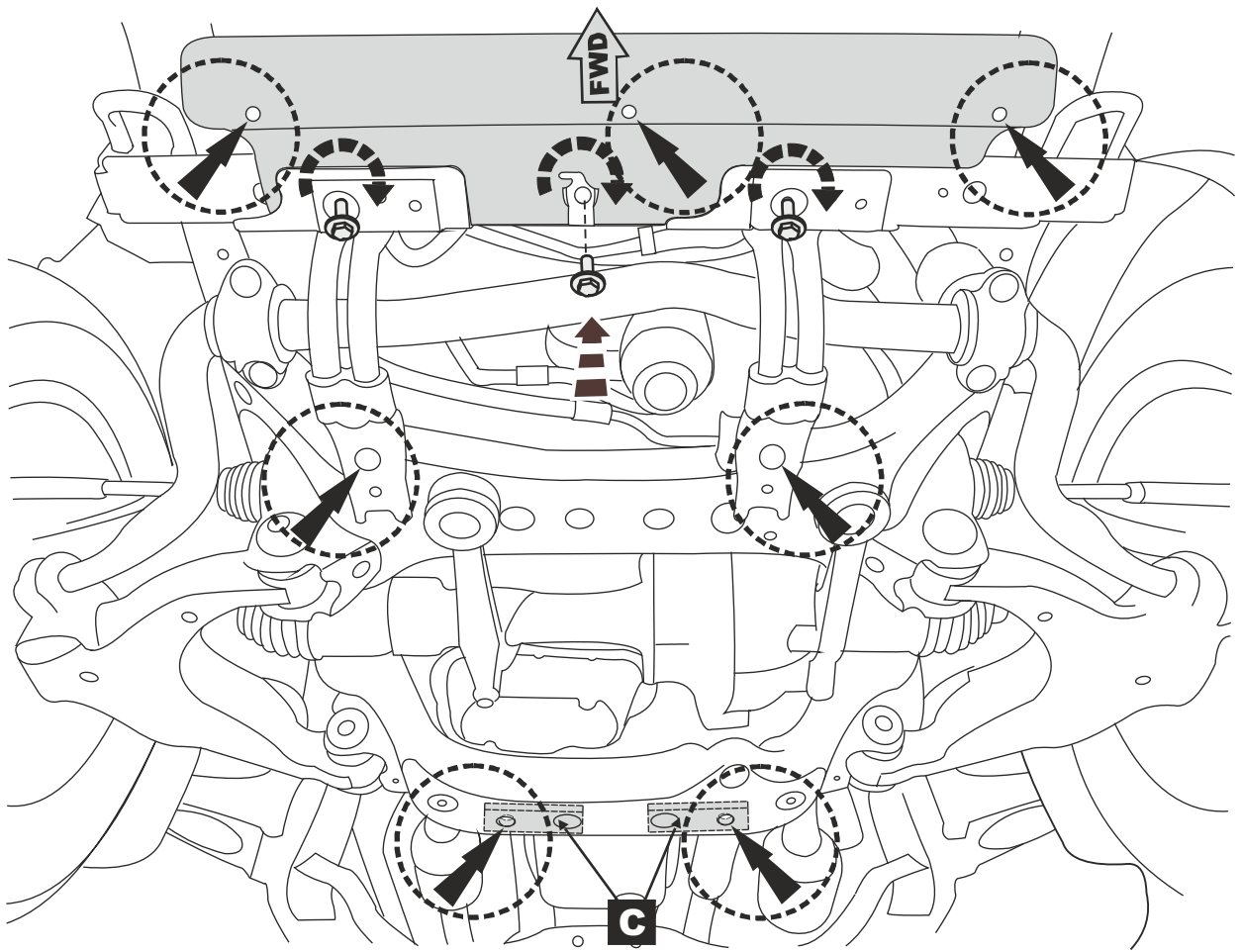
**1**



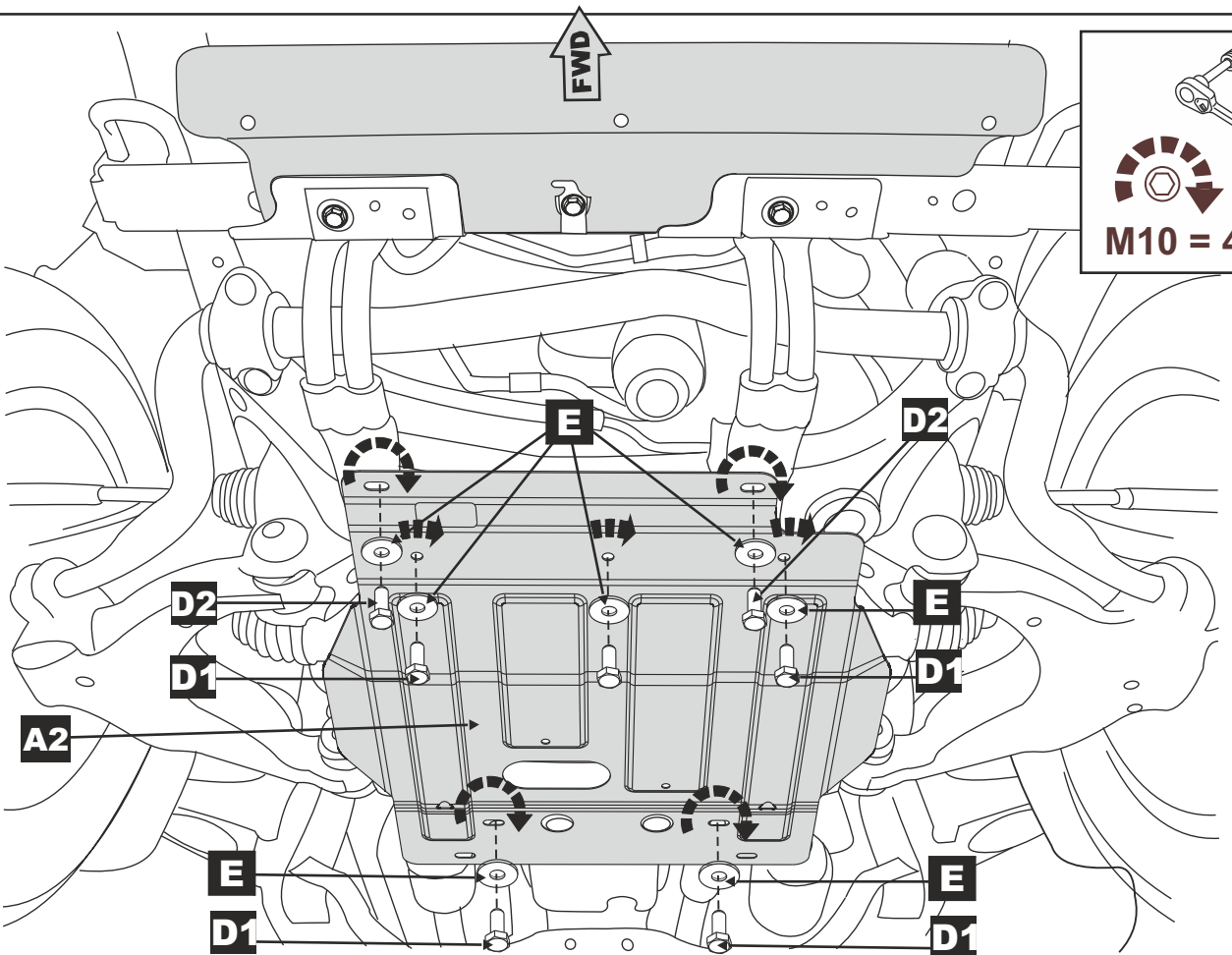
**2**



3

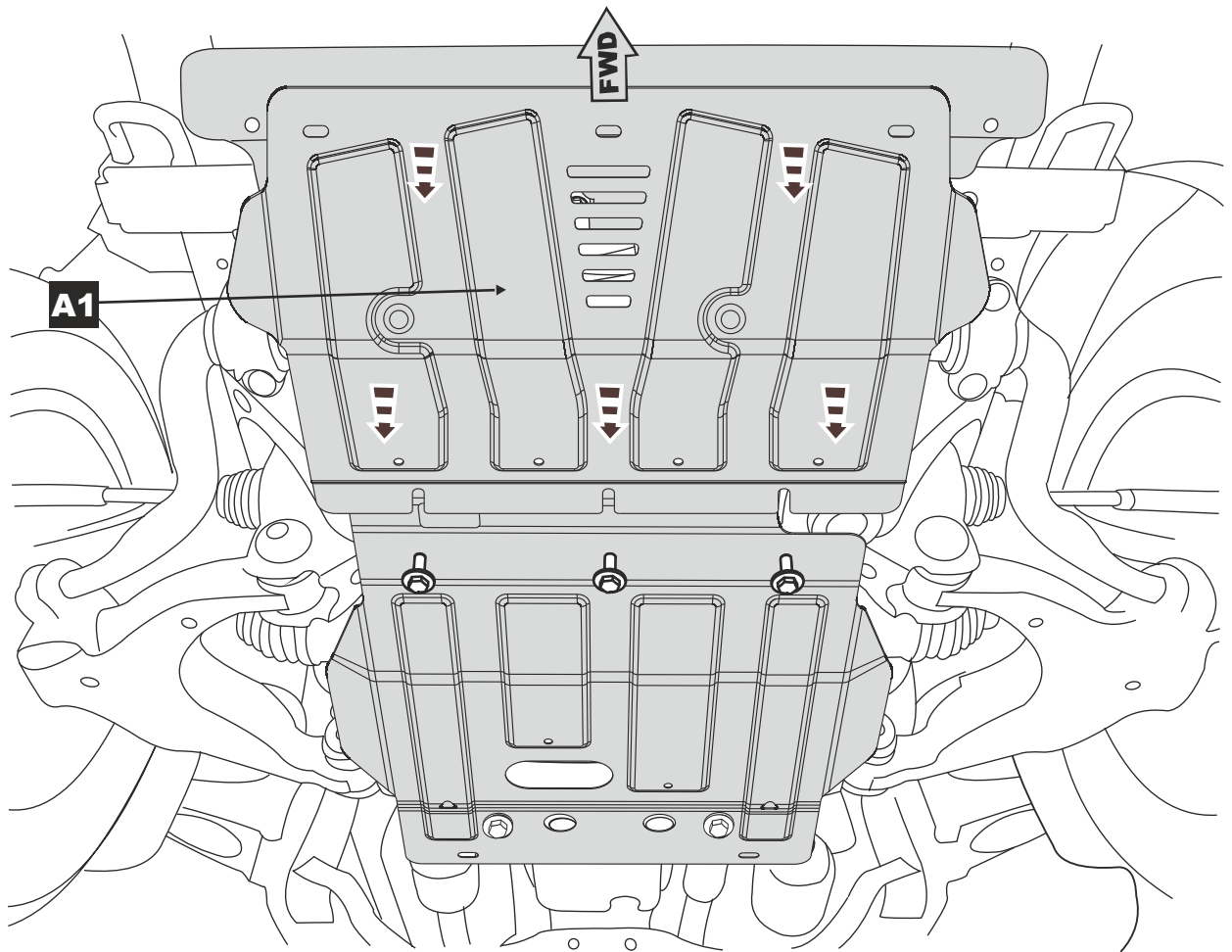


4

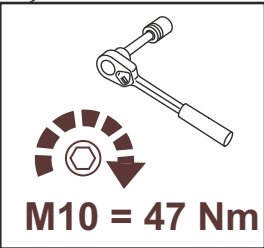
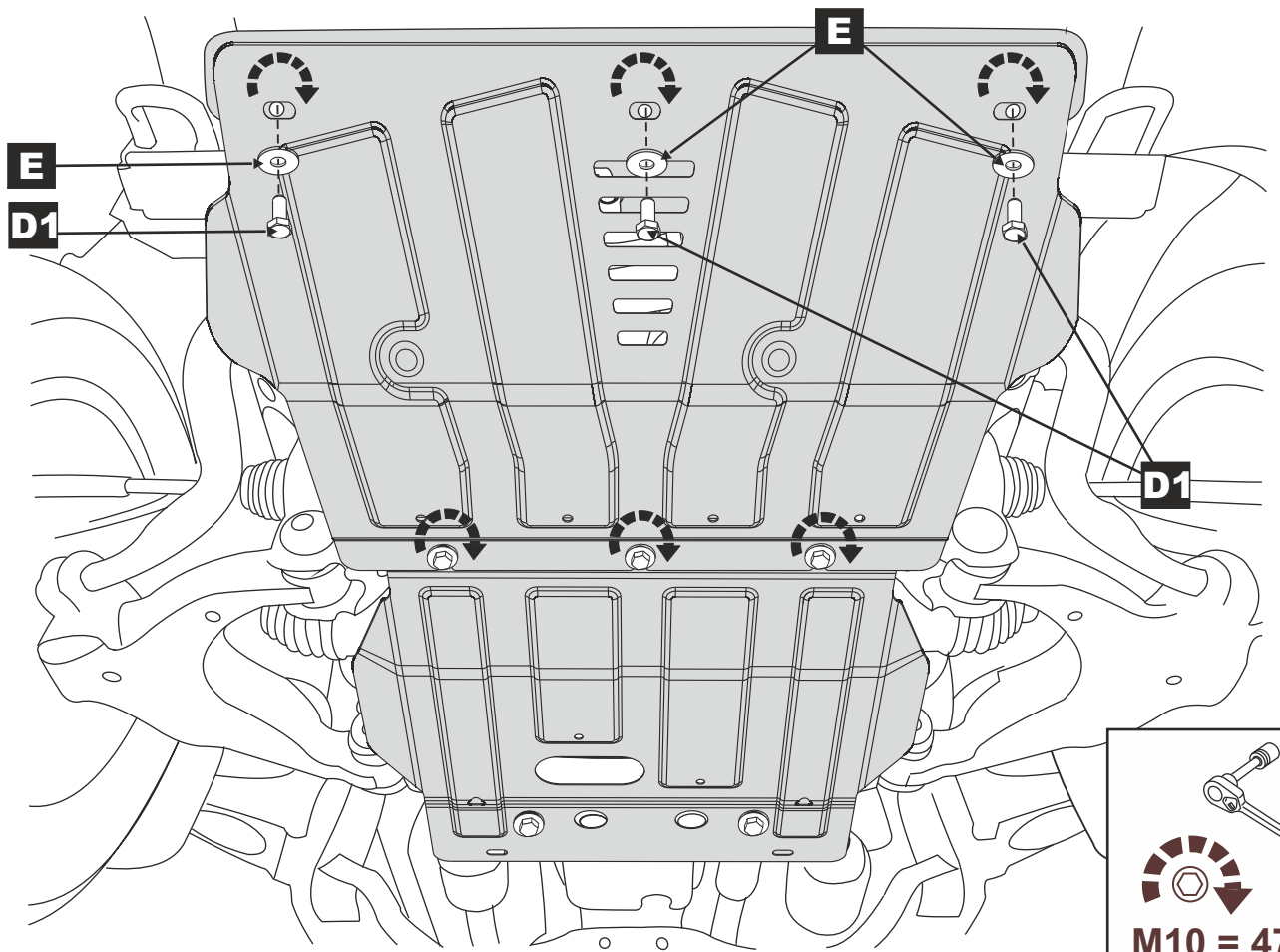


M10 = 47 Nm

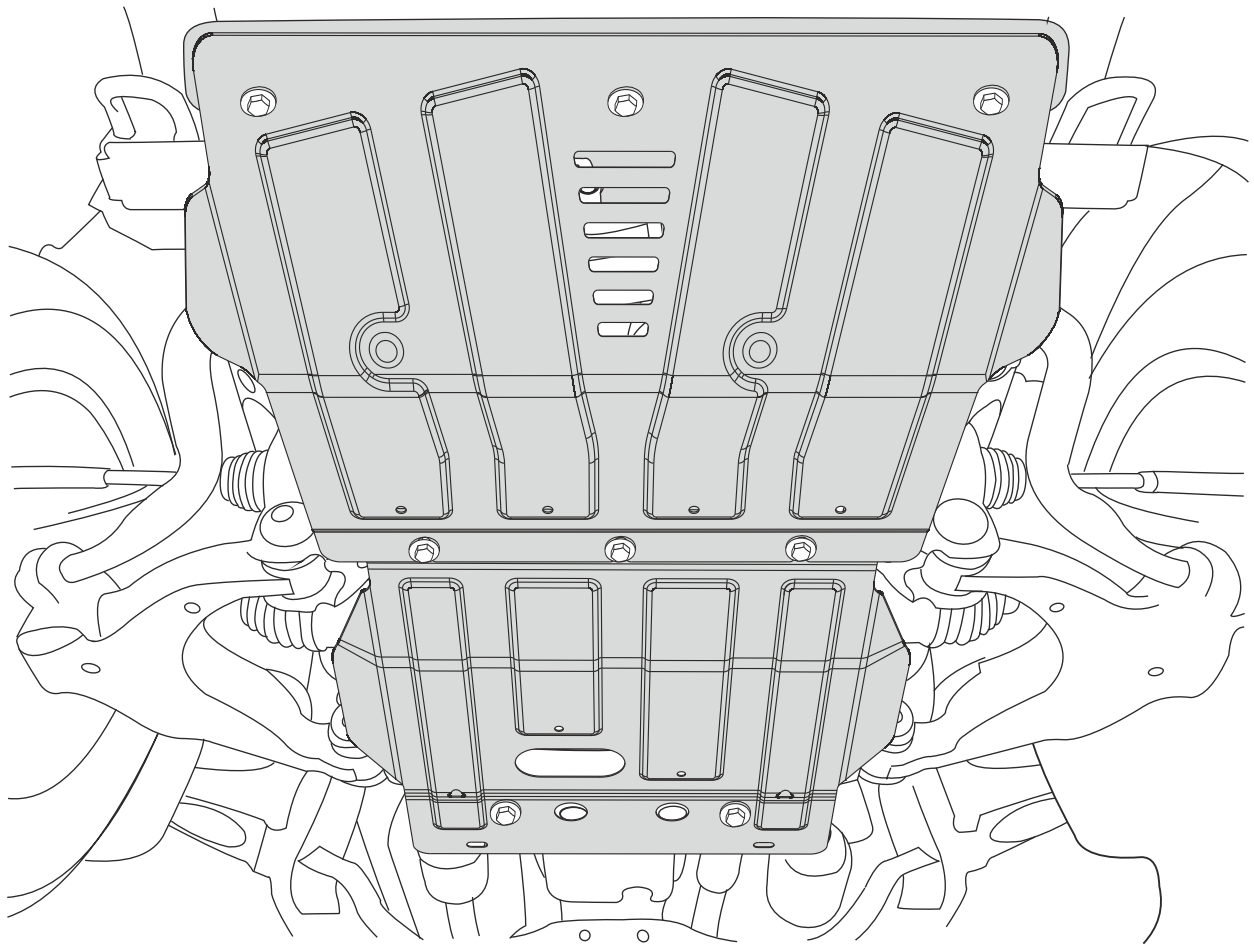
5



6



7



Part number:  
PZ4AL-01698-00

Issue:  
0

Date:  
09/10/13

Manual reference number:  
AIM 001-929-0

Page:  
6/6